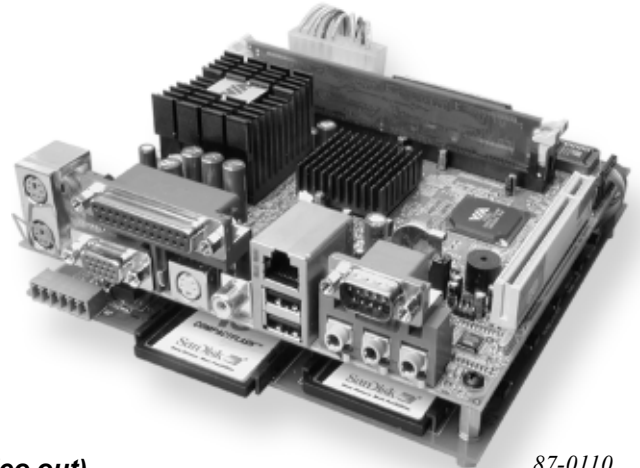


Thin Client-S

- **8V DC to 30V DC Input power**
 - Optional placement of (2) DC supplies in series
- **Watchdog Timer**
- **(2) Onboard Compact Flash slots**
 - Acting as IDE Hard Drives
 - Either slot configurable as Master or Slave
- **VIA EPIA Mini-ITX Mainboard provides:**
 - 533MHz Eden ESP 5000 (x86) microprocessor
 - Up to 1 GB of SDRAM (128M standard)
 - (2) USB ports, (1) Serial port, (1) Parallel port, (1) PCI Slot
 - Audio (In, Out, Mic) and TV support (NTSC/PAL and S-Video out)
 - VGA (up to 1024x768), Keyboard and Mouse support
 - Supports DOS, Linux, Windows OS's
 - 10/100 Ethernet port with RJ45 jack
 - Quiet, Low-Power Consumption Operation
- **Power and Reset push buttons, Status LEDs**
- **Optional Rugged Sheet Metal Enclosure**
- **Dimensions 7.4" x 6.8" x 2.3"**



87-0110
Thin Client-S



89-0110
Thin Client-S
w/ Enclosure

JK microsystems' *Thin Client-S* adapts one of the industry's smallest, most highly integrated Mini-ITX motherboards into a flexible and reliable computer platform for embedded engineers, OEMs and consumers alike.

Built around the popular Mini-ITX motherboard, the *Thin Client-S* system operates like a desktop PC with superb multimedia, operating system and device support, while also including a power supply, storage options and hardware features ideal for embedded environments.

The *Thin Client-S* combines the powerful VIA Technologies motherboard with an efficient 8-30V DC input power management system, push buttons for power and reset, status LEDs, two onboard IDE Compact Flash slots (treated as hard drives) and a Watchdog timer.

The *Thin Client-S* provides a solution with versatile connectivity and hardware features, while giving developers the flexibility of implementing a variety of operating systems - free of compatibility issues associated with many other platforms. The system can be tailored for a variety of embedded applications including: data acquisition, industrial PCs, network computing, desktop management, information appliance, digital video recorders, point of sale systems, video conferencing, multimedia and Voice over IP (VoIP) systems.

Accessory Kit for Thin Client-S (97-0110) includes VIA Technologies manual & CD w/ drivers, CD w/ Thin Client manual, AC adapter. (220Vin Accessory Kit 97-1111 available)

Mini Linux Starter Kit (98-0004) includes Compact Flash Card Linux & FreeDOS and CD w/ Linux source.

JK microsystems, Inc.

1403 5th St. Suite D, Davis, CA 95616
<http://www.jkmicro.com>

Phone (530)297-6073
Fax (530)297-6074

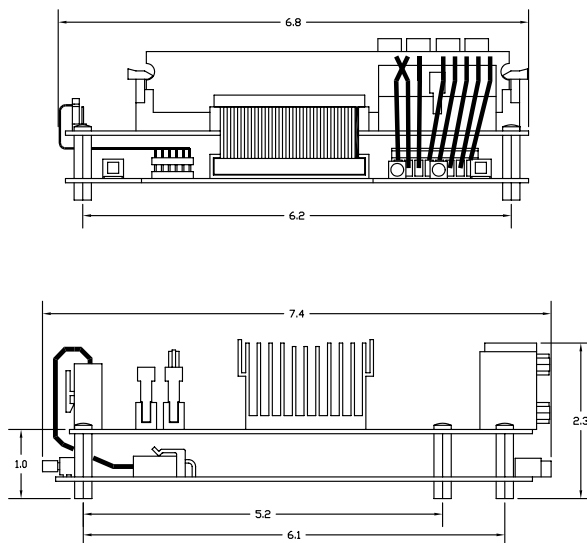
Thin Client-S

Specifications

Processor	533 Mhz VIA Eden	Other	PS2 keyboard
Memory	128M SDRAM (expandable to 1G)		PS2 mouse
Storage	(2) Compact Flash slots		Real-Time Clock/Calendar
Ethernet	10/100 Mb, RJ-45 Connector with Link status and Activity LEDs		Power Status LED
Serial Port	RS-232 COM1		IDE Activity LED
USB	(2) Ports USB v1.1 & HCI v1.1 compatible		Power and Reset Pushbuttons
Parallel Port	EPP/ECP compliant	Input Voltage	8-30V DC
VGA	1024x768 resolution Trident Blade 3D core	Power Consumption	15-45 Watts (configuration and activity dependent)
TV-Out	640x480, 800x600 NTSC/PAL TV S-Video or RCA Video output	Humidity	5 - 90%, non-condensing
Watchdog	15 second timeout period System powercycle on timeout Timer resets with IDE activity LED	Temperature	32 to 122 °F (0 to 50°C)
		Weight	21 oz (595 gm)
		Dimensions	7.4" x 6.8" x 2.3" 7.4" x 7.1" x 2.7" with enclosure

Options

- Enclosure - wall mountable with cooling fan
- MiniLinux bootable compact flash with source
Slackware 9.0 with BusyBox
Webserver, PPP, Perl, DHCP, MP3 player



JKmicrosystems, Inc.

1403 5th St. Suite D, Davis, CA 95616
<http://www.jkmicro.com>

Phone (530)297-6073
Fax (530)297-6074